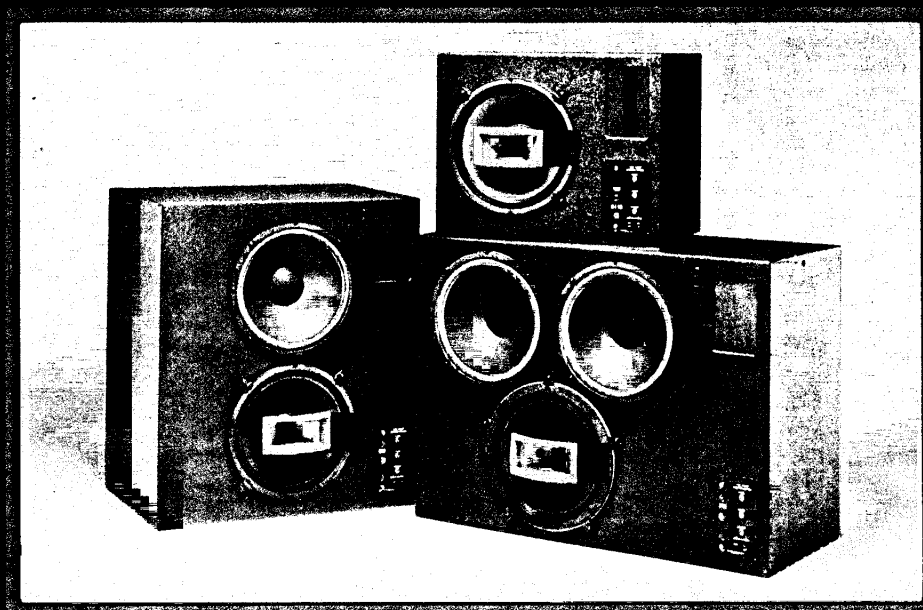


811B,
813B, 815B

THE UREI SERIES B
TIME ALIGN®
STUDIO MONITORS



FEATURES:

Flat power response maintains frequency balance at low distortion over wide range of output levels.

Time Align® design achieves accurate time domain response, minimizing fatigue while listening at high sound pressure levels.

One-point sound source.

Highly controlled sound field over entire frequency range.

Accurate stereophonic imaging.

Consistent ratio of direct to reverberant sound.

Since their introduction the UREI Time Align® studio monitors have continually been installed in more and more recording studios and broadcast production facilities worldwide to replace older (and some newer) monitor designs.

Series B is the third generation of UREI monitors. These monitors all feature a proprietary coaxial loudspeaker which has been developed by UREI engineers. Through the utilization of the latest advances in materials and fabrication techniques in the manufacture of the coaxial loudspeakers, the following system characteristics make them ideal for the most demanding program material:

High sensitivity, high power handling capability and extended high frequency response.

UREI

The performance breakthroughs which have been accomplished in designing the Series B monitor systems have made it possible to double the sensitivity to input signals and the power handling capability. The coaxial loudspeaker incorporates a JBL 2425H driver in the high-frequency section which extends the high frequency response envelope . . . to beyond 17.5 kHz.

The Series B monitors have the patented high frequency horn, with its diffraction buffer for correct acoustic impedance matching and smooth out-of-band-response, and the shadow slots which eliminate the midrange shadowing common to conventional coaxial loudspeaker horns. The ceramic magnet structures used on all of the drivers in the 800-series monitors assure that the sensitivity of these systems will not tend to degrade with time, even under continuous use at high monitoring levels.

Each UREI Series B monitor uses the new 80IB coaxial driver to provide a true one-point sound source. Additional low-frequency drivers are utilized in the 813B and 815B for extended low-frequency response and greater overall sensitivity without sacrificing the tight bass, superior stereo imaging, and all of the other characteristics which you have come to expect from studio monitors by UREI.

TIME OFFSET CORRECTION

Even though a coaxial loudspeaker delivers the entire frequency spectrum from one source, the voice coils of the two transducers are displaced from each other, and the low and high frequency portions of a sound do not

arrive at the listener's ear at the same time. This phenomenon, called "time smear," can be extremely fatiguing, particularly after several hours of critical listening.

UREI, in a joint engineering project with E.M. Long Associates, perfected the first professional utilization of the Time Align® technique, which considers driver placement and adjusts crossover group delay parameters to achieve simultaneous arrival of the sounds from both sections of the coaxial loudspeaker at the listener's ear. The result is a uniform sound which is not fatiguing, even at the high levels required in recording studio control rooms.

MIRROR IMAGE

For stereo applications, all UREI monitors are available in mirror imaged pairs for superior stereo reproduction and centering at the listening position.

CONDUCTOR COMPENSATION*

Every monitor features a BNC connector on the rear panel of the crossover to accommodate the Conductor Compensation feature of UREI's Model 6500 power amplifier. This unique, patented circuitry eliminates ringing and other problems originating in the hookup wiring and maintains extremely high damping and outstanding transient response at the loudspeaker terminals, not just at the amplifier output.

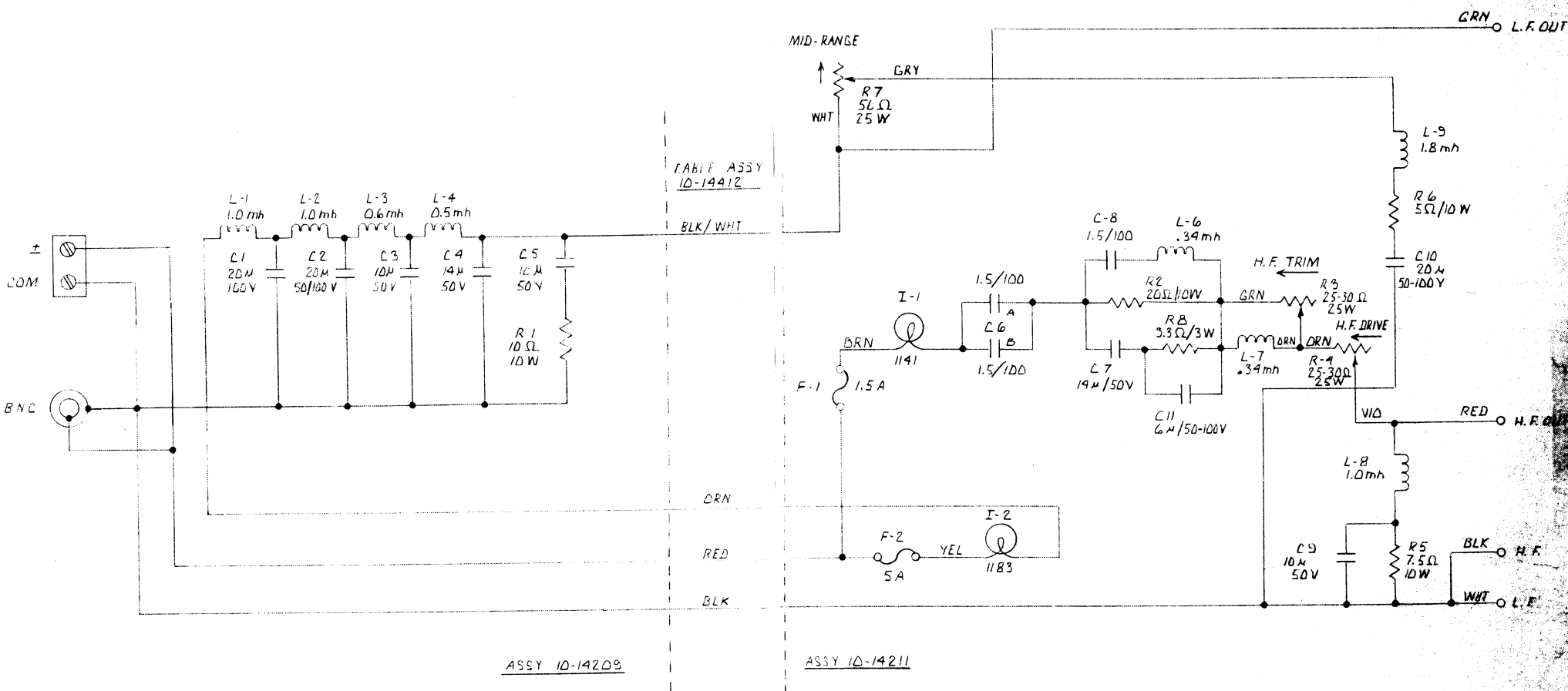
UREI TIME ALIGN® MONITOR SPECIFICATIONS

| | Model 811B | Model 813B | Model 815B |
|---------------------|---|---|--|
| SPEAKER COMPLEMENT: | Single Coaxial | Single Coaxial with one low frequency driver. | Single Coaxial with two low frequency drivers. |
| POWER RATING: | 150 watts, 40 Hz-20 kHz, with pink noise. | 150 watts, 40 Hz-20 kHz, with pink noise. | 150 watts, 40 Hz-20 kHz, with pink noise. |
| FREQUENCY RESPONSE: | 80 Hz-17.5 kHz ± 3 dB | 40 Hz-17.5 kHz ± 3 dB | 40 Hz-17.5 kHz ± 3 dB |
| SENSITIVITY: | 99 dB SPL/ watt/meter | 101 dB SPL/ watt/meter | 103 dB SPL/ watt/meter |
| IMPEDANCE: | 8 ohms, nominal (minimum > 6 ohms) | 8 ohms, nominal (minimum > 4 ohms) | 8 ohms, nominal (minimum > 4 ohms) |
| ENCLOSURE: | Approx. 142 l (5 ft ³) | 326 l (11.5 ft ³) | 368 l (13 ft ³) |
| WEIGHT: | 49 kg (107 lb) | 89 kg (195 lb) | 107 kg (235 lb) |
| SHIPPING WEIGHT: | 57 kg (125 lb) | 98 kg (215 lb) | 116 kg (255 lb) |
| DIMENSIONS: | | | |
| Height | 527 mm (20 3/4 in) | 914 mm (36 in) | 813 mm (32 in) |
| Width | 673 mm (26 1/2 in) | 787 mm (31 in) | 1105 mm (43 1/2 in) |
| Depth ¹ | 483 mm (19 in) | 584 mm (23 in) | 533 mm (21 in) |
| Depth with grille | 559 mm (22 in) | 660 mm (26 in) | 610 mm (24 in) |
| ENCLOSURE FINISH: | Utility Flat Black Painted | Utility Flat Black Painted | Utility Flat Black Painted |
| OPTIONAL GRILLE: | 811BG | 813BG | 815BG |

¹—Depth dimension is for enclosure only. Terminal strip and BNC connector at rear extend additional 25 mm (1 in). High frequency horn extends 64 mm (2 1/2 in) in front.

*Time Align® and its derivatives are trademarks of E.M. Long, Assoc., Oakland, CA. Conductor Compensation is licensed exclusively to UREI by Wm. Turner, U.S. Patent #4,236,118. All referenced trademarks are the property of, or licensed by United Recording Electronics Industries.





| | |
|---|---|
| UNITED RECORDING ELECTRONICS INDUSTRIES | SCHEMATIC |
| | 830 |
| | DEPARTMENT LOS ANGELES CALIFORNIA |